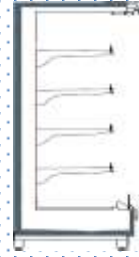


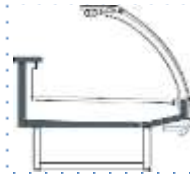
■ **Vertical Multideck**



■ **Semi-Vertical Multideck**



■ **Serve-Over Counters**



■ **Frozen Cabinets**



Index

Vertical Multideck

PEARL
PEARL SKY
PEARL LB
ONIX
CRYSTAL
AGATE
OLIVINE
KALSEDON
AMATIS MT
VERT. MULTIDECK ACCESSORIES

Semi-Vertical Multideck

OPAL
LIMESTONE
FLORIT M PRODUCE
SEMI-VERT. MULTIDECK ACCESSORIES

Serve-Over Counters

CITRINE SQUARE
CITRINE CURVE
ORIEL
CONVERTIBLE
PIZZA
LOW BASE
CITRINE TOWER
GRAB & GO
PATISSERIE
DOUBLE WELL
DOUBLE DECK
KEHRIBAR
JADE
LAL
AMBER
SERVE-OVER COUNTER ACCESSORIES

Frozen Cabinets

AMATIS LT / SVEA
AMATIS LT SKY / SVEA SKY

GOLD WALL
GOLD GLASS
GOLD GLASS WIDE
PLATIN
TURMALINE
TURMALINE SKY
FROZEN CABINET ACCESSORIES

Plug-In Cabinets

BIBURY CHILLED
BIBURY WINE
SEDEF NW V3
SEDEF NW 625
SEDEF SUPER SLIM
SHANNON
BIBURY DUAL
GRANIZADO
THERMEDON
OPAL V3 PL
FLORIT M PRODUCE
CITRINE SQ PL
CITRINE CG PL
CITRINE 800 SS PL
CITRINE GRAB&GO PL
CITRINE DOUBLE WELL PL
OPAL CAKE PL
CITRINE PATISSERIE PL
KEHRIBAR PL
AVENTURINE H PL
BERIL STORAGE PL
LIV PL
JASPER SQ PL
HARMONIA HELENE
HARMONIA MYRINA
MANHATTAN
GOLD WALL PL
INTERLAKEN
FISH SLAB PL
BIBURRY FROZEN
AZURIT K V3
AMATIS M PL
TURMALINE PL

PEARL



SYSTEM	OPERAT. TEMP.	REFRIGANT
	-2 / 0	
REMOTE	-1 / +1	HFC / HFO*
	+2 / +4	CO2 (R744)
	+4 / +6	

*R134S / R404A / R407A / R407F / R407C / R410A / R448A / R449A

Including the following accessories/equipment

- Fans – Standard (AC; Shaded-Pole)
- Cu Tube - Alu Fin Heat Exchanger (Evaporator)

PEARL SKY



SYSTEM	OPERAT. TEMP.	REFRIGANT
	-2 / 0	
REMOTE	-1 / +1	HFC / HFO*
	+2 / +4	CO2 (R744)
	+4 / +6	

*R134S / R404A / R407A / R407F / R407C / R410A / R448A / R449A

Including the following accessories/equipment

- Fans – Standard (AC; Shaded-Pole)
- Cu Tube - Alu Fin Heat Exchanger (Evaporator)

PEARL LB



SYSTEM	OPERAT. TEMP.	REFRIGANT
	-2 / 0	
REMOTE	-1 / +1	HFC / HFO*
	+2 / +4	CO2 (R744)
	+4 / +6	

Including the following accessories/equipment

- Fans – Standard (AC; Shaded-Pole)
- Cu Tube - Alu Fin Heat Exchanger (Evaporator) Island design with PEARL LB cabinets is not recommended. In case of a special demand contact R&D

*R134S / R404A / R407A / R407F / R407C / R410A / R448A / R449A

ONIX



SYSTEM	OPERAT. TEMP.	REFRIGANT
	-2 / 0	
REMOTE	-1 / +1	HFC / HFO*
	+2 / +4	CO2 (R744)
	+4 / +6	

Including the following accessories/equipment

- Fans – Standard (AC; Shaded-Pole)
- Cu Tube - Alu Fin Heat Exchanger (Evaporator)

*R134S / R404A / R407A / R407F / R407C / R410A / R448A / R449A

CRYSTAL



SYSTEM	OPERAT. TEMP.	REFRIGANT
	-2 / 0	
REMOTE	-1 / +1	HFC / HFO*
	+2 / +4	CO2 (R744)
	+4 / +6	

*R134S / R404A / R407A / R407F / R407C / R410A / R448A / R449A

Including the following accessories/equipment

- Fans – Standard (AC; Shaded-Pole)
- Cu Tube - Alu Fin Heat Exchanger (Evaporator)

AGATE



SYSTEM	OPERAT. TEMP.	REFRIGANT
	-1 / +1	HFC / HFO*
REMOTE	+2 / +4	CO2 (R744)

*R134S / R404A / R407A / R407F / R407C / R410A / R448A / R449A

Including the following accessories/equipment

- Fans – EBM (Speed Adjustable ESM Fan)
- Cu Tube - Hydrophilic coated Alu Fin Heat Exchanger (Evaporator)

OLIVINE



SYSTEM	OPERAT. TEMP.	REFRIGANT
REMOTE	-1 / +1 +2 / +4	HFC / HFO* CO2 (R744)

*R134S / R404A / R407A / R407F / R407C / R410A / R448A / R449A

Including the following accessories/equipment

- Fans – Standard (AC; Shaded-Pole)
- Cu Tube - Alu Fin Heat Exchanger (Evaporator)

KALSEDON



Including the following accessories/equipment

- Fans – Standard (AC; Shaded-Pole)
- Cu Tube - Alu Fin Heat Exchanger (Evaporator)

AMATIS MT



- Fans – EBM (Speed Adjustable ESM Fan)
- Cu Tube - Alu Fin Heat Exchanger (Evaporator)
- Triple Glazed - Hinged W80 (Heated) doors are standard
- Lighting Options should be selected from the accessory list of multi-deck cabinets.

AMATIS MT V2

AMATIS MT V2 PRICE LIST

CABINET	TYPE	Height (mm)	Depth (mm)	Tray Depth (mm)	2 Doors 1,560 mm	3 Doors 2,340 mm	4 Doors 3,120 mm	5 Doors 3,900 mm
---------	------	----------------	---------------	--------------------	---------------------	---------------------	---------------------	---------------------

OPAL



SYSTEM	OPERAT. TEMP.	REFRIGANT
	-2 / 0	
REMOTE	-1 / +1	HFC / HFO*
	+2 / +4	CO2 (R744)

Including the following accessories/equipment

- Fans – Standard (AC; Shaded-Pole)
- Cu Tube - Alu Fin Heat Exchanger (Evaporator)
- Headcase Back Mirror cost is included in Opal HC cabinet prices.

*R134S / R404A / R407A / R407F / R407C / R410A / R448A / R449A

LIMESTONE



SYSTEM	OPERAT. TEMP.	REFRIGANT
	-1 / +1	HFC / HFO*
REMOTE	+2 / +4	CO2 (R744)

Including the following accessories/equipment

- Fans – EBM (Speed Adjustable ESM Fan)
- Cu Tube - • Hydrophilic coated Alu Fin Heat Exchanger (Evaporator)

*R134S / R404A / R407A / R407F / R407C / R410A / R448A / R449A

FLORIT M PRODUCE



SYSTEM	OPERAT. TEMP.	REFRIGANTE
REMOTE	+4 / +6	HFC / HFO* CO2 (R744)

*R134S / R404A / R407A / R407F / R407C / R410A / R448A / R419A

Including the following accessories/equipment

- Fans – Standard (AC; Shaded-Pole)
- Cu Tube - Alu Fin Heat Exchanger (Evaporator)
- Standard: Stainless Steel Tray & Interior Back Panel

SEMI-VERTICAL MULTIDECK ACCESSORIES

DOOR OPTIONS

Frameless Single Glass Doors

EQ. CODE	EQ. NAME	SPECIFICATIONS & DIMENSIONS	CABINETS
SM-11-01-A-001	Sliding Doors - Curved	1.250 mm	OPAL V2
SM-11-01-A-002	Sliding Doors - Curved	1.875 mm	OPAL V2
SM-11-01-A-003	Sliding Doors - Curved	2.500 mm	OPAL V2
SM-11-01-A-004	Sliding Doors - Curved	3.125 mm	OPAL V2
SM-11-01-A-005	Sliding Doors - Curved	3.750 mm	OPAL V2
SM-11-01-A-006	Sliding Doors - Curved	1.660 mm HC	OPAL V2
SM-11-01-A-007	Sliding Doors - Curved	2.136 mm HC	OPAL V2
SM-11-01-B-001	Sliding Doors - Flat	1.250 mm	OPAL V2
SM-11-01-B-002	Sliding Doors - Flat	1.875 mm	OPAL V2
SM-11-01-B-003	Sliding Doors - Flat	2.500 mm	OPAL V2
SM-11-01-B-004	Sliding Doors - Flat	3.125 mm	OPAL V2
SM-11-01-B-005	Sliding Doors - Flat	3.750 mm	OPAL V2
SM-11-01-B-006	Sliding Doors - Flat	1.660 mm HC	OPAL V2



Frameless Single Glass Sliding Doors (Curve)



Frameless Single Glass Sliding Doors (Flat)

CITRINE SQ



SYSTEM	OPERAT. TEMP.	REFRIGANTE
REMOTE	-1 / +1 +2 / +4	HFC / HFO* CO2 (R744)

Including the following accessories/equipment

- Fans – Standard (AC; Shaded-Pole)
- Cu Tube - Alu Fin Heat Exchanger (Evaporator)
- Mech. thermometer cost is included in heated cabinet prices

*R134S / R404A / R407A / R407F / R407C / R410A / R448A / R449A

CITRINE CG



SYSTEM	OPERAT. TEMP.	REFRIGANTE
REMOTE	-1 / +1 +2 / +4	HFC / HFO* CO2 (R744)

Including the following accessories/equipment

- Fans – Standard (AC; Shaded-Pole)
- Cu Tube - Alu Fin Heat Exchanger (Evaporator)
- Mech. thermometer cost is included in heated cabinet prices

*R134S / R404A / R407A / R407F / R407C / R410A / R448A / R449A

**CINTRINE
ORIEL**



Including the following

- Fans – Standard (AC; Shaded-Pole)
- Cu Tube - Alu Fin Heat Exchanger (Evaporator)

SYSTEM	OPERAT. TEMP.	REFRIGANTE
REMOTE	+2 / +4	HFC / HFO* CO2 (R744)
<small>*R134S / R404A / R407A / R407F / R407C / R410A / R448A / R449A</small>		

**CINTRINE
CONVERTIBLE**



SYSTEM	OPERAT. TEMP.	REFRIGANT
REMOTE	-1 / +1 +2 / +4	HFC / HFO* CO2 (R744)

*R134S / R404A / R407A / R407F / R407C / R410A / R448A / R449A

KEHRIBAR



Including the following accessories/equipment

- Fans – Standard (AC; Shaded-Pole)
- Cu Tube - Alu Fin Heat Exchanger (Evaporator)
- 1 piece of 250mm and 1 piece of 440mm glass shelves
- Rear back sliding door cost is included in Kehribar cabinet prices.

JADE



SYSTEM	OPERAT. TEMP.	REFRIGANTE
REMOTE	-1 / +1 +2 / +4	HFC / HFO* CO2 (R744)

*R134S / R404A / R407A / R407F / R407C / R410A / R448A / R449A

Including the following

- Fans – Standard (AC; Shaded-Pole)
- Cu Tube - Alu Fin Heat Exchanger (Evaporator)



SYSTEM	OPERAT. TEMP.	REFRIGANTE
REMOTE	-22 / -24	HFC / HFO* CO2 (R744)

*R134S / R404A / R407A / R407F / R407C / R410A / R448A / R449A

SVEA SKY



SYSTEM	OPERAT. TEMP.	REFRIGANTE
REMOTE	-22 / -24	HFC / HFO* CO2 (R744)

*R134S / R404A / R407A / R407F / R407C / R410A / R448A / R449A

Including the following accessories/equipment

- Fans – Standard (AC; Shaded-Pole)
- Cu Tube - Alu Fin Heat Exchanger (Evaporator)
- Triple Glazed - Hinged Doors without lighting

Unless indicated otherwise, Powder Coated (Solid) shelf is a recommended and standart usage for Amatis LT.

Including the following accessories/equipment

- Fans – Standard (AC; Shaded-Pole)
- Cu Tube - Alu Fin Heat Exchanger (Evaporator)
- Triple Glazed - Hinged Doors without lighting

Unless indicated otherwise, Powder Coated (Solid) shelf is a recommended and standart usage for Amatis LT.

GOLD WALL



SYSTEM	OPERAT. TEMP.	REFRIGANTE
REMOTE	-22 / -24	HFC / HFO* CO2 (R744)

*R134S / R404A / R407A / R407F / R407C / R410A / R448A / R449A

Including the following accessories/equipment

- Fans – Standard (AC; Shaded-Pole)
- Cu Tube - Alu Fin Heat Exchanger (Evaporator)

GOLD GLASS



SYSTEM	OPERAT. TEMP.	REFRIGANTE
REMOTE	-22 / -24	HFC / HFO* CO2 (R744)

*R134S / R404A / R407A / R407F / R407C / R410A / R448A / R449A

Including the following accessories/equipment

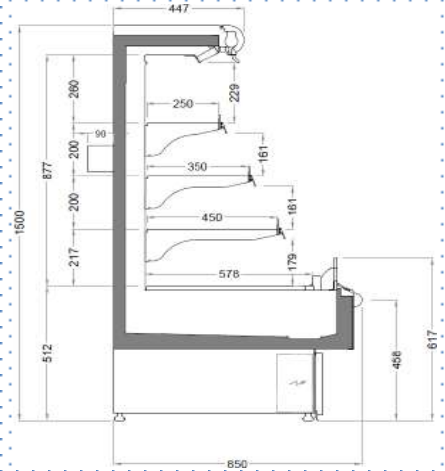
- Fans – Standard (AC; Shaded-Pole)
- Cu Tube - Alu Fin Heat Exchanger (Evaporator)

AUTOCONTENIDOS



16

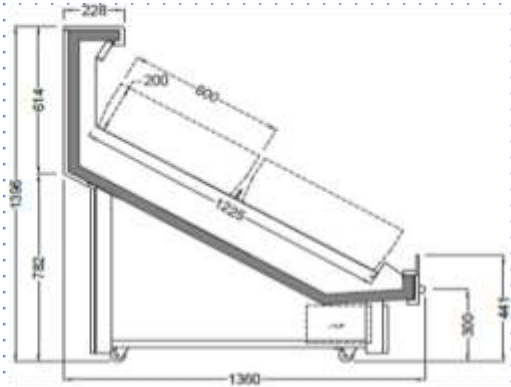
OPAL V3 PL



OPAL V3 PLUG-IN R1270 / R290

Dimension		Height	Depth	Standard Shelf	1,250	1,875	2,500
CABINET	SIDE PANEL	(mm)	(mm)	(mm)	(mm)	(mm)	(mm)

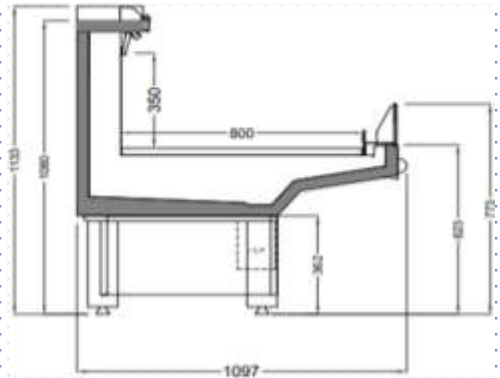
FLORIT PRODUCE



FLORIT PRODUCE PLUG-IN R1270 / R290

PRICE LIST					1,250
CABINET	SIDE PANEL	Height	Depth	Deck Tray	(mm)
FLORIT PRODUCE PL Ambient	2x Solid	1,396	1,360	1,225	6,083 €
FLORIT PRODUCE PL Plug-In	2x Solid	1,396	1,360	1,225	8,430 €

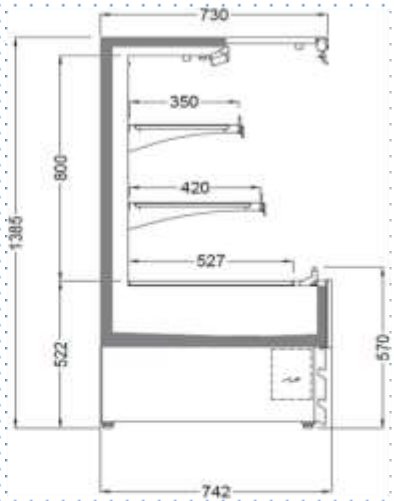
CITRINE 800 SS PL



CITRINE 800 SS H1080 PLUG-IN R1270/ R290

PRICE LIST		Height	Depth	Deck Tray	625	1250
CABINET	SIDE PANEL	(mm)	(mm)	(mm)	(mm)	(mm)
CITRINE 800 SS H1080 PL (...)	2x Panoramic	1,080	1,080	800	7,425 €	7,842 €

OPAL CAKE PL



Price Difference

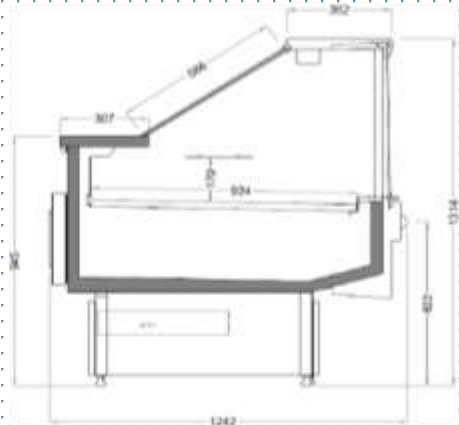
OPAL CAKE PLUG-IN R1270/ R290

PRICE LIST		Height	Depth	Standard Shelf	937.5	1250	1660
CABINET	SIDE PANEL	(mm)	(mm)	(mm)	(mm)	(mm)	(mm)
OPAL CAKE PL (...)	None	1,385	742	350 x 1 420 x 1	5,990 €	6,579 €	9,352 €

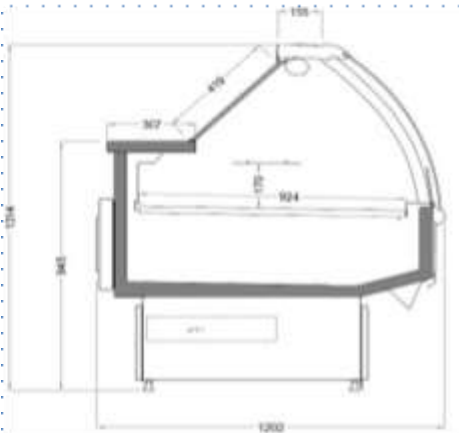
BERIL STORAGE PL



BERIL STORAGE
SQUARE GLASS

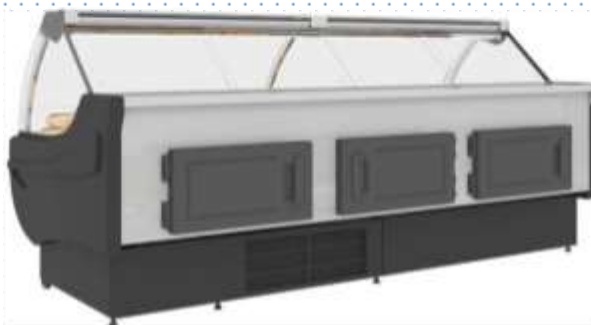


BERIL STORAGE
CURVED GLASS

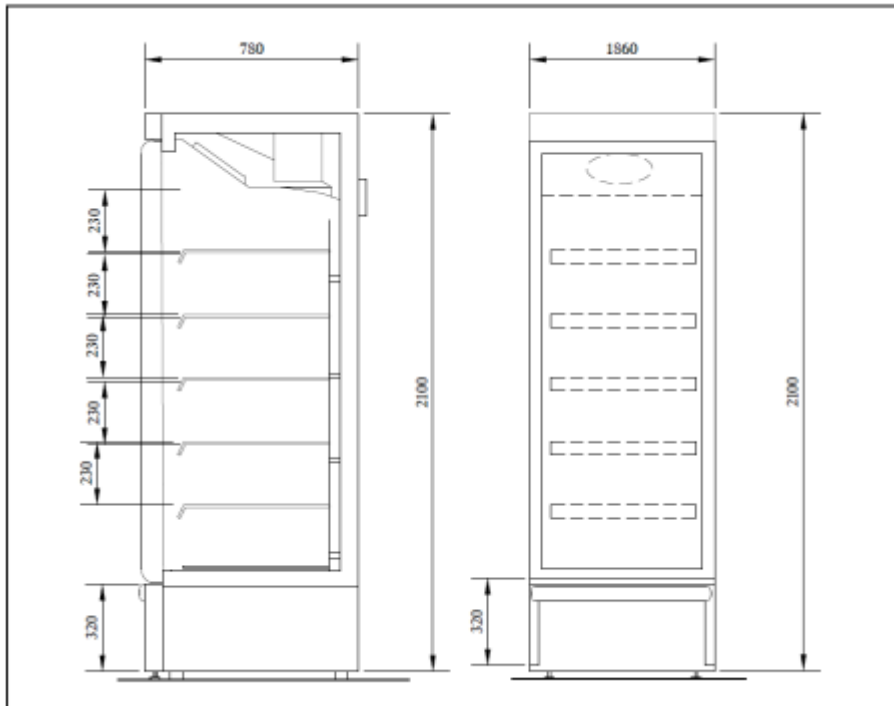


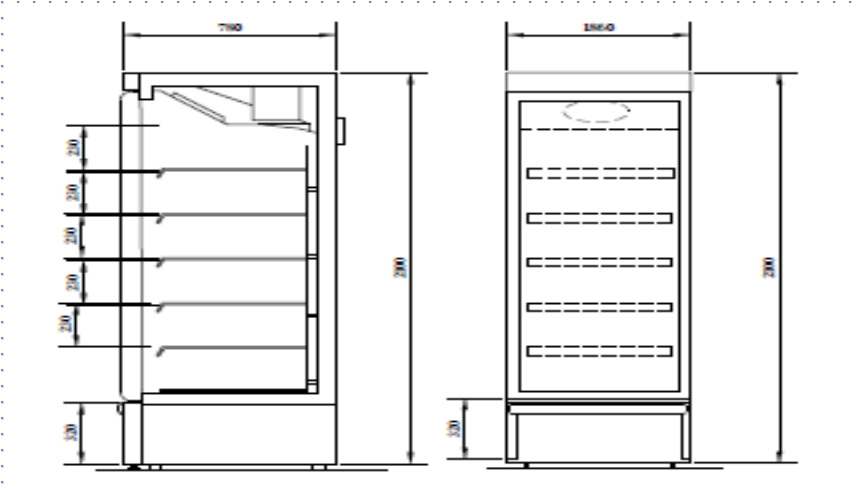
BERIL STORAGE PLUG-IN R1270 / R290

PRICE LIST		Height	Depth	Deck Tray	1,250	1875	2500	3750	
CABINET	SIDE PANEL	(mm)	(mm)	(mm)	(mm)	(mm)	(mm)	(mm)	
BERIL STORAGE PL SQUARE	2x Panoramic	1,315	1,200	924	0	6,070 €	6,790 €	7,871 €	10,837 €
BERIL STORAGE PL CURVE	2x Panoramic	1,315	1,200	924	0	5,951 €	6,655 €	7,716 €	10,625 €



COOLER AUTOCONTENIDO





Design Conditions	1D - Model MR 380S	2D - Model MR 1180S	3D - Model MR 1860S	4D - Model MR 2460S
Product Size	620*780*2100	1260*780*2100	1860*780*2100	2460*780*2100
Capacity	380 L	1180 L	1650 L	2250 L

Islas Autocontenidas Duales



Modelo	SD-1850	SD-2500
Volumen Lts	630	1040
BT/MT	Bi-Temp Static Coolers	Bi-Temp Static Coolers
Tamaño	1850*850*855	2500*850*930
Termostato	Digital Carel	Digital Carel
Refrigerante	R290	R290
Vidrios	Deslizantes	Deslizantes